

**ADDENDUM NO. 1
Contract 7-2013
April 8, 2015**

**CONTRACT AND SPECIFICATIONS
SUNSHINE ESTATES SANITARY SEWER
IMPROVEMENTS PROJECT**

**CONTRACT 7-2013
MORGANTOWN UTILITY BOARD
MORGANTOWN, WV**

This Addendum to the Contract and Specifications is issued to modify, explain, or correct the original Contract and Specifications and is hereby made part of the Contract Documents. Insert the date and number of this Addendum in the blank space provided in Bid Envelope 1, Page B-29, and Bid Envelope No. 2, Page B-35.

DRAWINGS

1. Sheet 10

Replace the existing Sheet 10 with the attached Sheet 10. A note has been added to the plan sheet that the Contractor shall locate the existing force main and re-connect the force main to Manhole 10. This work is incidental to the manhole installation.

2. Sheet 13

Replace the existing Sheet 13 with the attached Sheet 13. Electrical Note No. 8 has been added stating that the Contractor is to contact, schedule, and pay for Power Company charges to supply power.

**ADDENDUM NO. 1
Contract 7-2013
April 8, 2015**

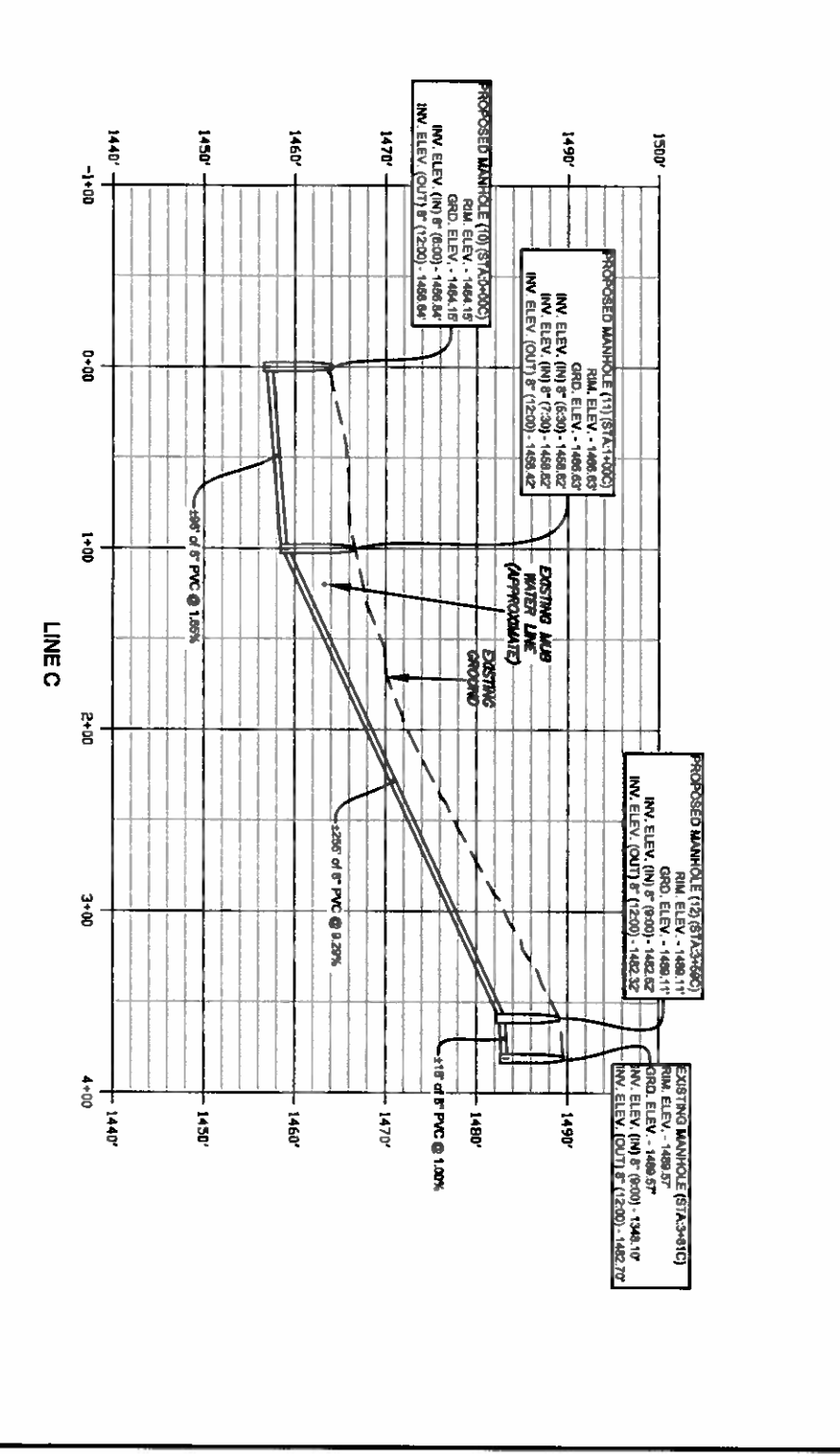
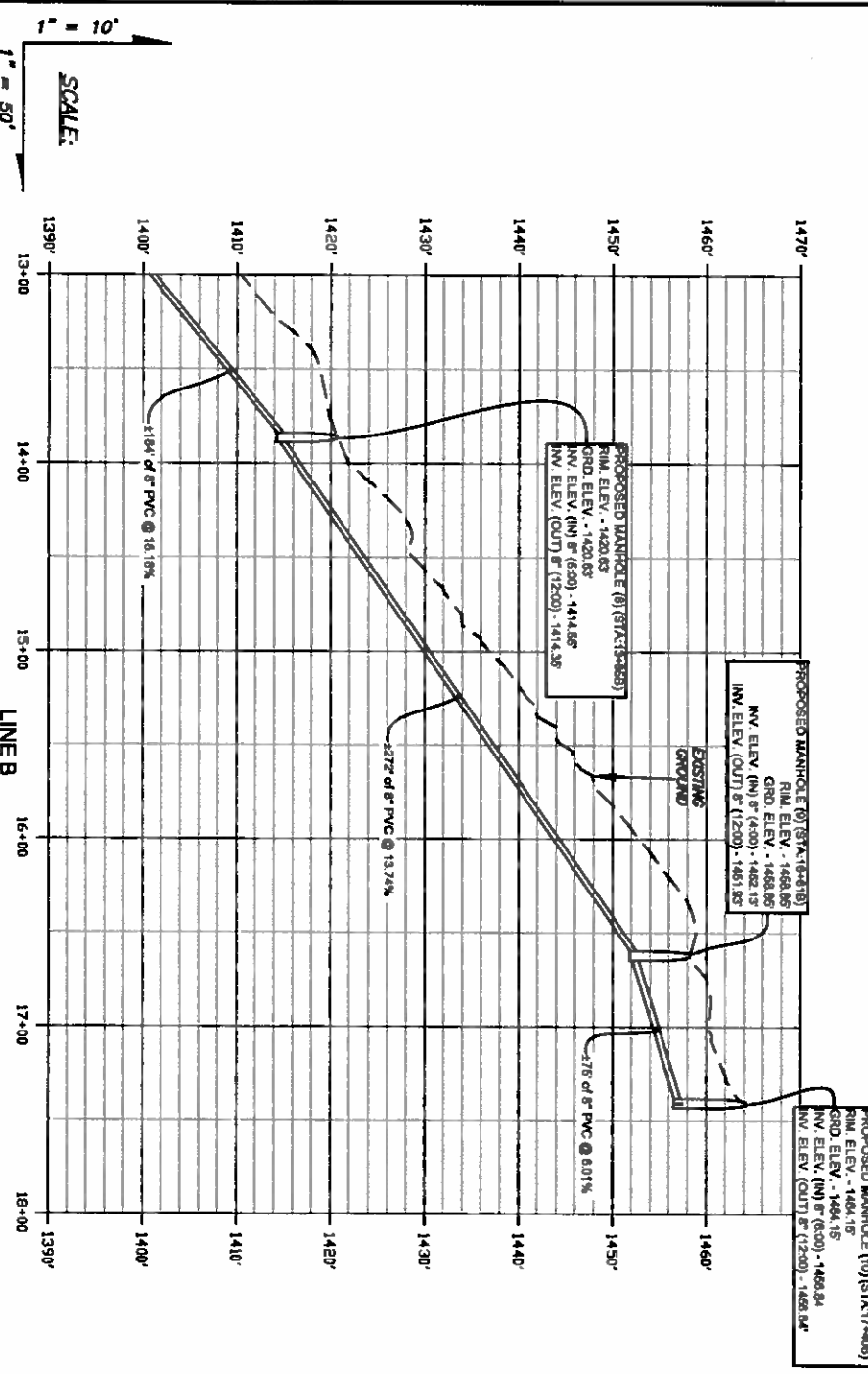
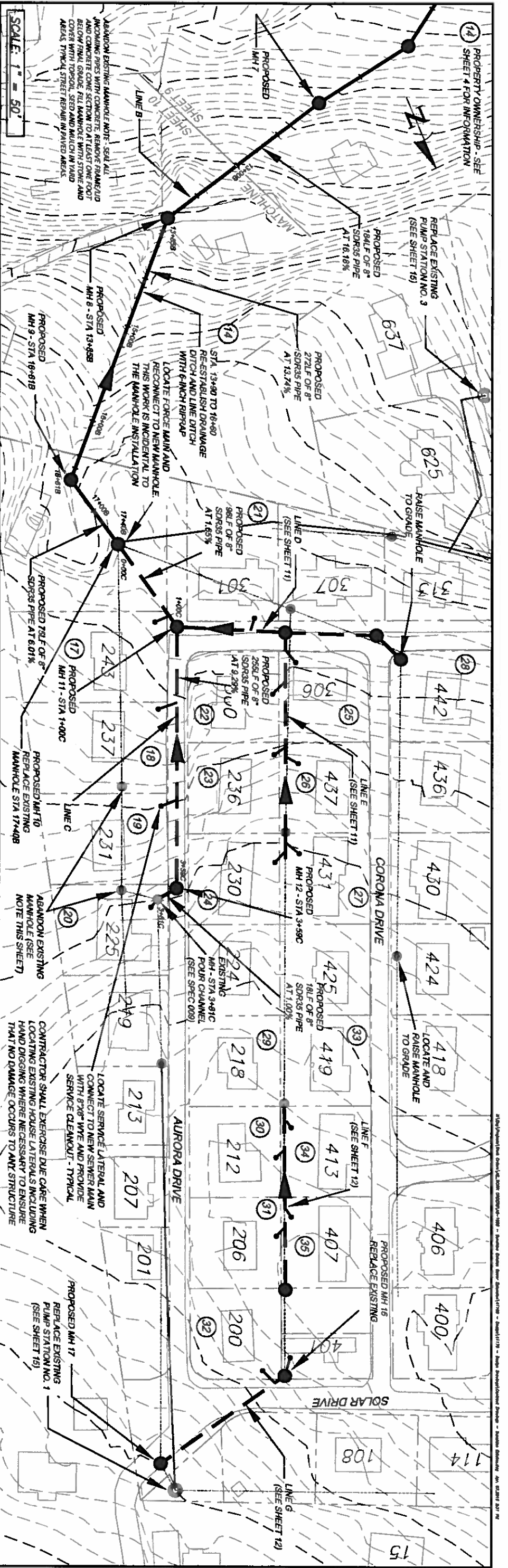
BIDDERS MUST ACKNOWLEDGE RECEIPT OF THIS ADDENDUM IN THE SPACES PROVIDED IN THE BID FORM.

Dated at Morgantown, WV
April 8, 2015

Morgantown Utility Board
P.O. Box 852
Morgantown, WV 26507-0852

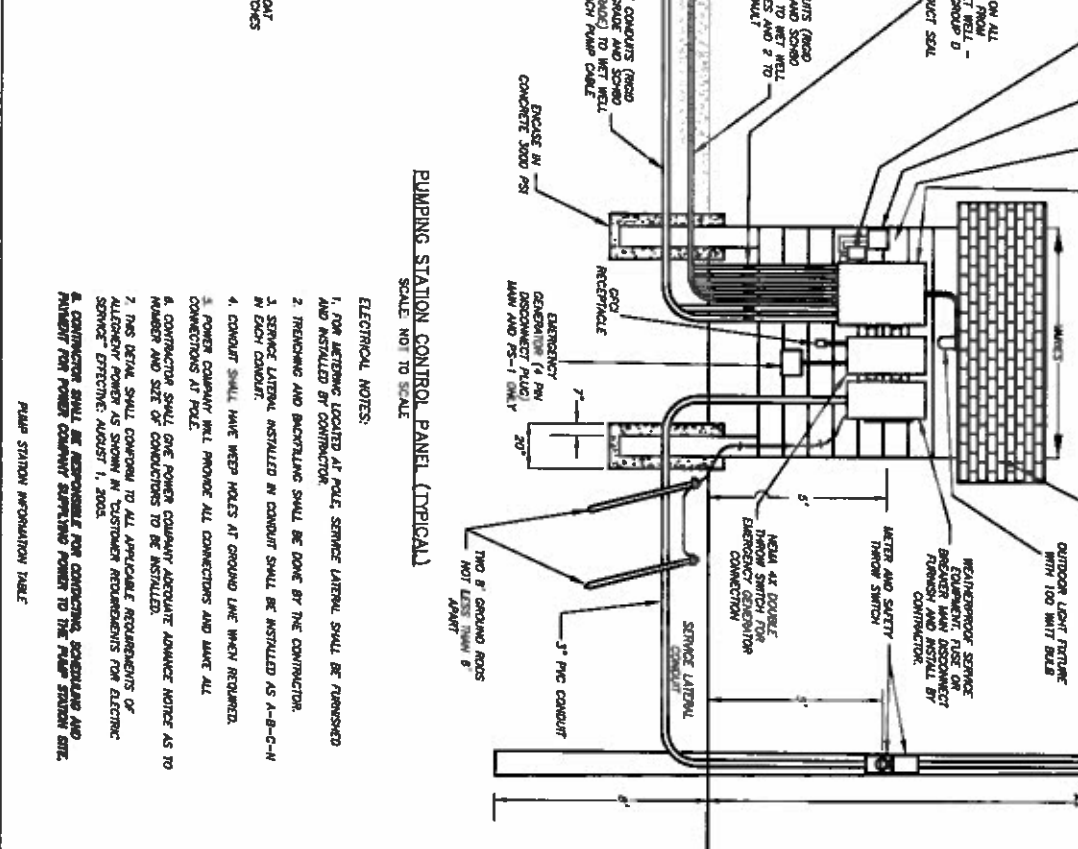
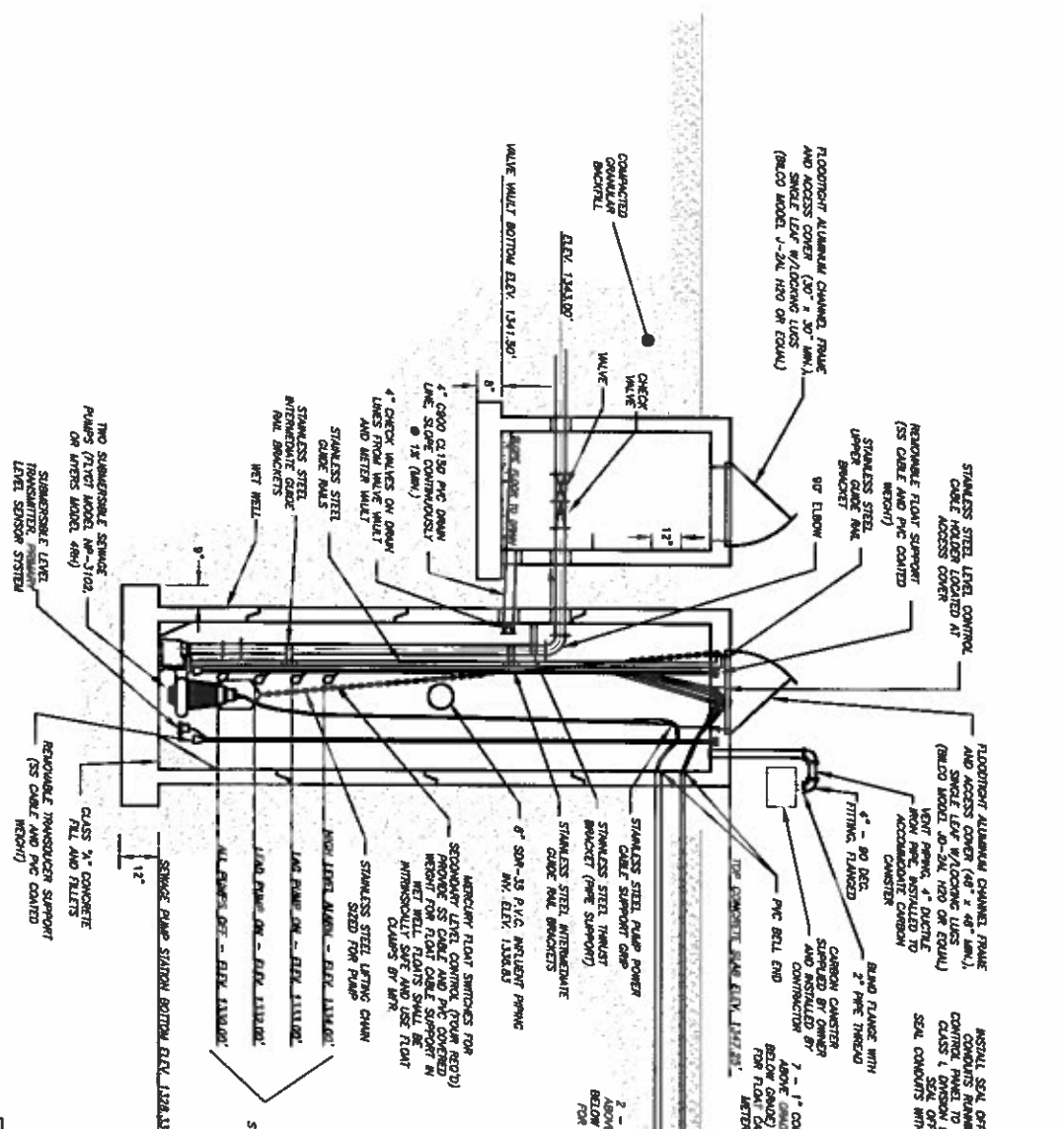
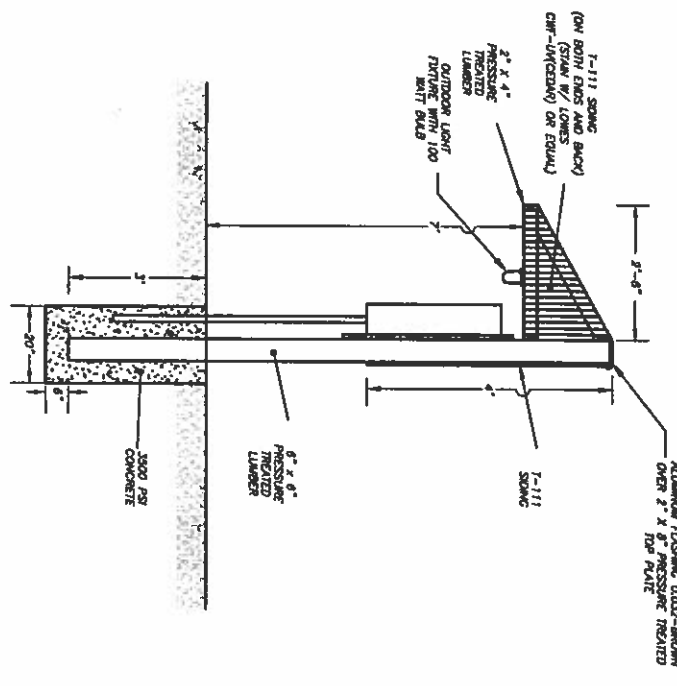
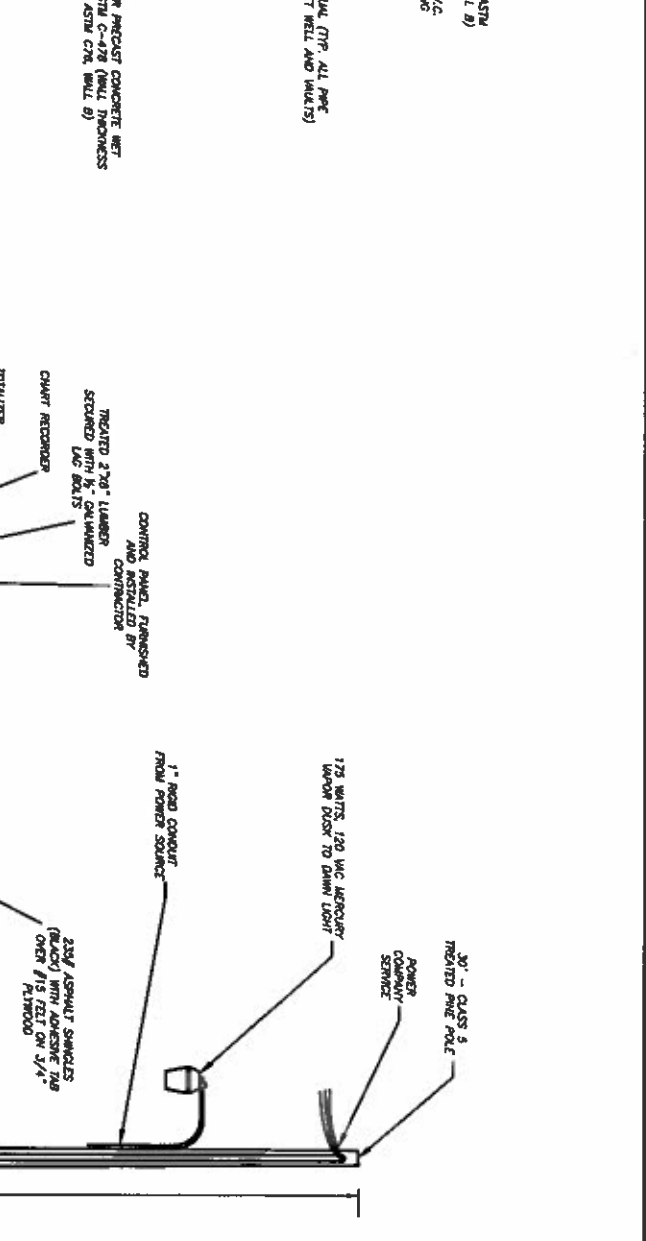
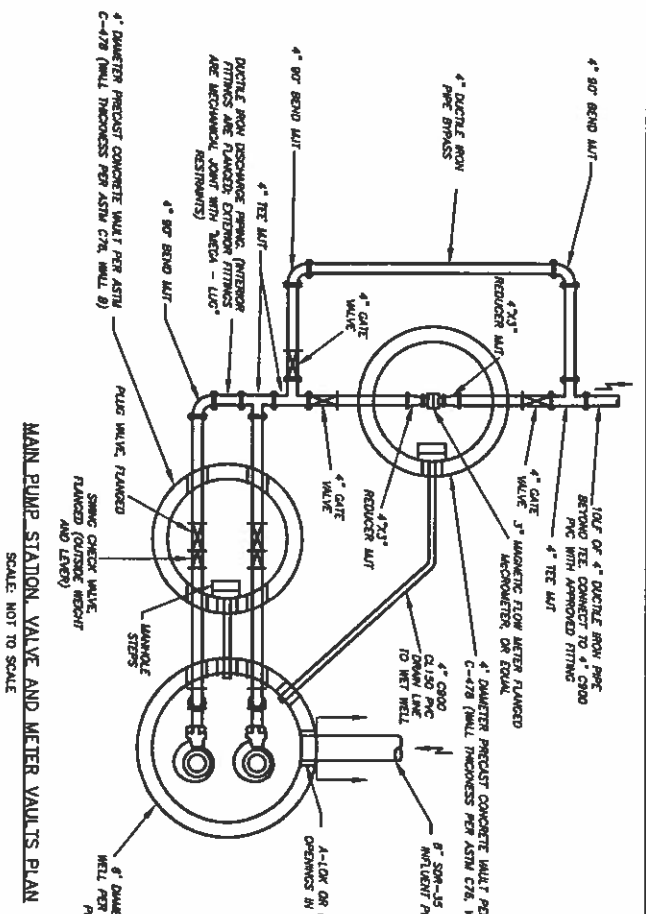
By: James W. Fetty Jr.
James W. Fetty Jr., PE





REVISIONS: 1. 10/20/14 JWF REVISED PACE NUMBER TO REFLECT SHEET IS ADDED. 2. 04/20/15 JWF ADDED NOTE TO RECONNECT FORCE MAIN TO MANHOLE 10. 3. 06/20/15 JWF		PROJECT TITLE: SUNSHINE ESTATES SANITARY SEWER IMPROVEMENTS PROJECT		DRAWING NUMBER: D130051	
DESIGNER: JAMES W. FETTY, PE DOUGLAS R. SMITH AS SHOWN		MORGANTOWN • UTILITY • BOARD 208 Shreveport Road • First Office Building • Morgantown, WV 26507-0822 • 304-282-3444		PROJECT NUMBER: AS-1056	
SCALE: 1" = 10' 1" = 50'		PROJECT TITLE: SUNSHINE ESTATES SANITARY SEWER IMPROVEMENTS PROJECT		DRAWING NUMBER: D130051 SHT. 10 OF 15	

- NOTES:**
- CONDUIT SHALL BE SUPPORTED THROUGH BACKFILLED AREAS.
 - THE PUMP STATION HAS BEEN DESIGNED TO COUNTERACT BUOYANCY FORCE WHEN COMPLETED. THE CONTRACTOR SHALL BE RESPONSIBLE FOR THE STABILIZING OF THE PUMP STATION. THE CONTRACTOR SHALL BE RESPONSIBLE FOR THE STABILIZING OF THE PUMP STATION. THE CONTRACTOR SHALL BE RESPONSIBLE FOR THE STABILIZING OF THE PUMP STATION.
 - ALL PIPING WITH WAISTS AND FIT WELLS SHALL BE RESTRAINED AND PROPERLY ANCHORED AND BLOTTED TO PREVENT SEPARATION UNDER PRESSURE.
 - CONTRACTOR SHALL PROVIDE COMPANIES OUTSIDE OF PUMP STATION AND WAISTS AS SHOWN ON PLANS. ALL STEVES AND COMPANIES USED SHALL BE APPROVED BY THE CHIEF ENGINEER PRIOR TO CONSTRUCTION.
 - ALL ALUMINUM IN CONTACT WITH CONCRETE OR DUCTILE IRON SHALL BE COATED WITH TWO COATS OF COAL TAR EPOXY.
 - PUMP POWER CABLES AND FLOW CABLES SHALL BE RUN CONCOMITANTLY WITH THE PIPING THROUGH ENCLOSED SPACES OR JUNCTION BOXES SHALL NOT BE RESTRAINED.
 - USE APPROPRIATE FOR CONDUIT FITTINGS AND RESTRAINTS. THE CONTRACTOR SHALL BE RESPONSIBLE FOR THE PROTECTION OF ELECTRICAL WORK AND EQUIPMENT IN METALL SHALL BE MAINTAINED FOR A CLASS 1, DIVISION 1, GROUP 0 LOCATION.



DESIGNED BY: DAVID L. BRADY	DATE: 06/20/14	3
CHECKED BY: JAMES W. REITZ, JR.	DATE: 06/20/14	2
APPROVED BY: DOUGLAS R. SMITH	DATE: 10/20/14	1

REV.	DATE	BY	DESCRIPTION
1	10/20/14	JWB	REVISED PAGE NUMBER TO REFLECT SHEET 15 ADDED.

PROJECT TITLE:	MORGANTOWN - UTILITY - BOARD
PROJECT TITLE:	SUNSHINE ESTATES SANITARY SEWER IMPROVEMENTS PROJECT
DRAWING TITLE:	MAIN PUMP STATION DETAIL
PROJECT NUMBER:	AS-1056
DRAWING NUMBER:	D130051
SHEET:	13 OF 15